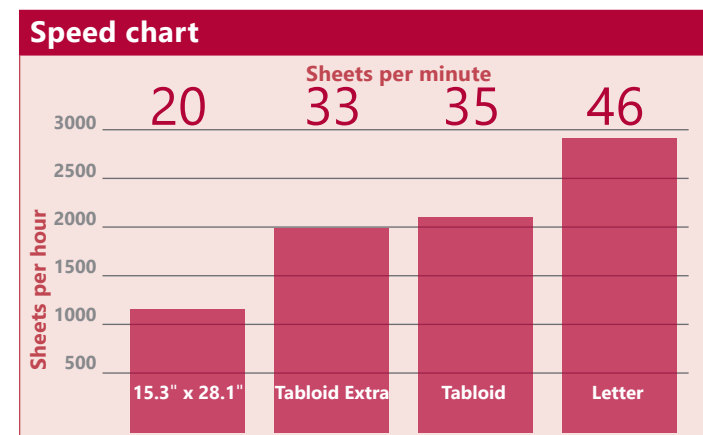


Technical Specification

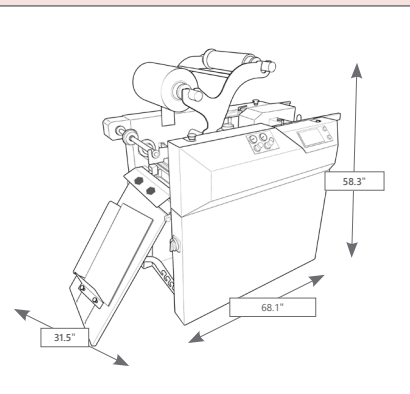


A growing range of consumables...*	
Lamination films Various finishes including: gloss, matt and silk touch, for litho and digital print. Digital laminates are corona-treated for subsequent over-printing.	
Foil flaring films Available in a growing range of colours including: gold, silver, rose gold, copper, red, green, blue, black, white and clear gloss. All can be applied direct to print.	
Holographic flaring films Such as: sparkle, milky way, crystal, carbon fibre... Perfect for adding premium effects to print.	

*See consumables support sheet.



Morgana CF2500 Automatic Laminator and Foiler	
Media sizes	Max: 15.3" x 28.1"
Media thickness	130gsm to 400gsm
Lamination speed	1m/min ~ 15m/min
Laminate/Foil thickness	20-250 micron
Automatic feeding	Yes
Pile height	Maximum: 280mm / 2500 sheets
Feeding mode	Dual air suction
Laminating temperature	Max: 130°C
Heating mode	Oil
Roller pressure	Hydraulic - up to 1 metric tonne* (*measures 970kg)
Laminate/Foil core size	3" (76mm)
Laminating rollers	Upper: High gloss chromium. Lower: silicon rubber
Power supply	220~240v 50/60Hz, 3200W
Weight (unpacked)	838lbs
Dimensions WDH	68.1" x 31.5" x 58.3"



Plockmatic Group



Morgana CF2500
Automatic Laminator and Foiler



www.plockmaticgroup.com

www.plockmaticgroup.com

*Disclaimer As part of our continued product improvement plan, specifications and information published here are subject to change without notice. All specifications are dependent on application, type of stock, temperature, RH and print engine used. Specifications quoted were measured on uncoated and unprinted stock. E & OE.

Automatic feeding for volume lamination and premium decorative effects of your printed sheets.

The Morgana CF2500 delivers an all in one automatic feeding solution for both lamination and foiling. With its unique oil roller heating system providing consistent temperatures, lamination results are improved and energy consumption is reduced.

Its simple to set up process offers reliable feeding and speedy production – with fully controllable pressure and heat processes, devised to deliver optimum results with today's print output.



Market leading features

- Automatic feeding with frontal air suction
- Up to 2,000 SRA3 sheets per hour
- Automatic sheet registration with adjustable sheet overlap
- Self centering sheet guides
- Auto stop function for stack re-loading
- Oil heated, hydraulic pressure chrome roller
- Pneumatic auto burst sheet separation with micro perf wheel
- Auto stop function for stack re-loading
- Adjustable hydraulic pressure for a smooth professional finish
- Electronically adjustable speed and temperature via touchscreen
- Easily adjustable de-curling system

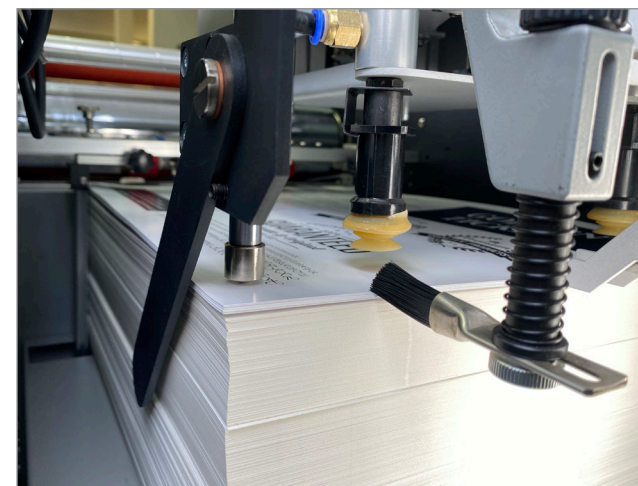
Laminates | Foils | Holographic fx



Faultless Lamination

Class-leading lamination for the commercial printer. Using state-of-the-art technology, combined with integrated hydraulic pressure, the ColorFlare CF2500 delivers superior bonding and faster production times – compared to standard systems. In addition, the fully adjustable heat and pressure combinations enable a wider range of laminates to be used with printed media, including the traditionally troublesome digital print output!

This machine, with its intuitive user interface incorporates a unique oil heated chrome roller system that improves lamination and reduces energy consumption – and runs at a speed of 1 – 15mtrs per minute. It offers excellent quality output, making it the ideal solution for your in-house commercial laminating requirements.



Speedy and accurate production

Turnaround times and waste are further minimized with the ColorFlare unique 'burst separation' system. The laminating film is micro-perforated on the edge by the robust marking device and then separated by the pneumatic burst roller. This easily separates the laminated sheets prior to the actual edge of the media, leaving clean and square datum edges from which to measure, cut, fold or guillotine. Other devices tend to need time-consuming and untrue manual separation.

Unique differences

Visual and tactile decoration. We have a range of specially formulated digital laminates, each featuring an advanced corona treatment, which enables subsequent overprinting through digital devices. This provides the opportunity to further enhance printed materials with additional decorative effects when using a combination of lamination and foil flaring. No ordinary laminating device can achieve anything like these unique and superb results!

Stunning Foil Flaring

For today's printers who demand stunning results with that extra 'wow' factor – the ColorFlare delivers more than just class-leading lamination. Metallic, colored, patterned or holographic Premium decorative effects for digital solutions style flaring foils can be added to digitally printed materials in either spot or flood treatments. This decorative effect is known as 'flaring', and traditionally, costly custom dies would be required to create these effects. However, ColorFlare can deliver instant and affordable results - and with upgraded hydraulic pressure, an even wider choice of media is now suitable for great results! Even further-advanced effects can be delivered by combining special corona-treated laminates with decorative effect flaring foils. Clever compound treatments deliver ultra premium results - all from one compact device!

Premium effects gain premium profits

The flexibility to create and control stunning effects from just one versatile device will lift ordinary print work to the level of extraordinary – and offers an even greater return on investment.

Ergonomic and intuitive

The new 7" immersive touch screen with extensive Info-Control system with feature rich options that provide an advanced level of control over the CF2500.



The media catch tray can be folded down when not in use to save space in smaller environments.

