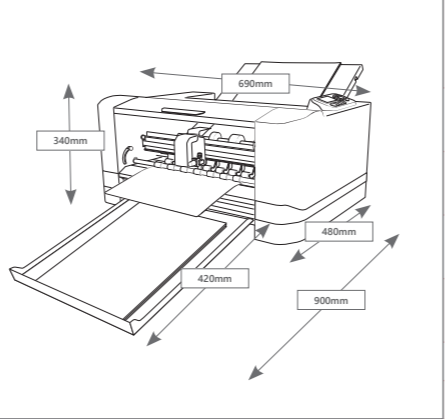


Technical Specification

Morgana LC330 Automated Sheet Label Cutter

Media sizes	Max: 330 x 483mm Min: 150 x 190mm
Media thickness	0.14mm (140 micron/140g/m ²) - 0.35mm (350micron/350g/m ²)
Auto-sheet capacity	Up to 120 sheet auto-sheet feeder
Max speed/Max force	800mm/s 500gf
Registration system	Vision3 - High resolution CCD vision system ARMS 9
Cut position accuracy	+/- 100 micron
Mountable tools	A single tool holder supports; - Blade holder tool for cutting blades at 30°, 45° & 60° - Pen calibration tool for auto-calibration
Minimum PC specification	Windows® 10/11 Pro x64 bit. 4GB of RAM (8GB recommended). Monitor res: 1280 x 960 min
ColorCut Pro 5 Plugin - PC	Adobe® Illustrator® CS6, CC2024 - CC2024 or CorelDRAW® X8, 2017 - 2024 Graphics Suite
ColorCut Pro 5 Plugin - Mac Client	Adobe® Illustrator® CC 2022 - 2024.Mac operating systems: Big Sur to Sonoma
ColorCut Pro 5 Standalone - PC Only	Job server - enables jobs created by the ColorCut Pro Plugin above to be cut at any time
Power supply	100-240V AC 50/60Hz, 150W average 4.0A
Weight (unpacked)	31kg



Morgana LC330
Automatic Label Cutter

www.plockmaticgroup.com • email: sales@morgana.co.uk

*Disclaimer As part of our continued product improvement plan, specifications and information published here are subject to change without notice. All specifications are dependent on application, type of stock, temperature, RH and print engine used. Specifications quoted were measured on uncoated and unprinted stock. E & OE.

Morgana LC330

Fully automated sheet label production with the ColorCut LC330. Kiss-cut any shape!

The new ColorCut LC330 'on demand' digital sheet label cutter is a compact, lightweight desktop cutter designed to provide automatic sheet label cutting for digital print production users, with NO die's or setup costs.

Combining reliable label-sheet feeding with an instant job retrieval system the LC330 provides effortless, yet precise, kiss-cut label and decal cutting at fast speeds.

Created for users wishing to enter into sheet label production, the LC330 uses the standard ColorCut ecosystem and cut files which are uniform across the range, providing an excellent upgrade path for users as they grown in their business.

Market leading features

- Digitally cut any shape labels at up to 800mm/sec
- Digital process means no more costly dies
- Cut closer to media edges with the 'Dual Grip' feed system
- QR code/Job Library retrieves associated cut files - even for mixed job batch sessions
- Auto stacker/feeder takes up to 120 sheets
- Paper stacker holds A3+, SRA3, A3, A4 and custom sizes for a maximum cutting length of 483mm x 330mm width
- SmartMark registration delivers incredible accuracy - enabled via included ColorCut Pro software
- Run jobs from computer or from a USB drive.



Kiss-cut sheet label media

Morgana LC330

Mixed jobs with ColorCut Pro's QR code job recognition!

The LC330 offers an unparalleled production advantage, in being able to read and instantly retrieve the associated cut file for every sheet design - on the fly! It can take a varied stack of jobs and cut one after the other, in a seamless and uninterrupted flow. Its 'Dual Grip' feed system holds the media during cutting, on BOTH sides of the cutting head, enabling it to cut closer to the media edges than most other types of cutter.

QR codes and SmartMarks are generated as part of the included ColorCut Pro software plugin which integrates with vector artwork created in Adobe® Illustrator® and CorelDRAW®.



Easy to use automatic job retrieval - no skilled operator required for cutting!

Using Morgana's next generation of Ai based ColorCut software, the LC330 can be used, easily, simply and autonomously by providing 2 modes users can employ for cutting files.

DIRECT mode: ColorCut Pro software, via a computer, offers unparalleled flexibility and control over cutting and production enabling all options to be adjusted on the fly.

HELD mode: ColorCut Pro stores your job parameters, wrapping all the required settings into a custom held mode cut file, that can be transferred via a USB stick to the cutter. This enables standalone operation, without the need for the main PC.

Held mode is ideal for **repeat cut jobs** that need to be **cut at any time, by any user.**

Faultless feeding

With its unique 'Y' feed path, media is drawn in and reversed back out on the LC330's cutting bed, to ensure continual, faultless feeding. The digital cutting head can apply up to 500g of pressure, adjustable through the included ColorCut Pro software, to cut even the thickest label stocks.

Ergonomic, compact and clever...

The LC330 is complemented by a simple 2-line monochrome LCD control panel with tactile buttons enabling users to control cutting options for speed and cut force.



Its space-saving, clip-on exit tray can be stored below the unit, when not required, ensuring the compact cutter can easily be accommodated in any office or print shop.

A simple easy to use control system, and feature rich options via the software, provide an advanced level of control over the LC330.

