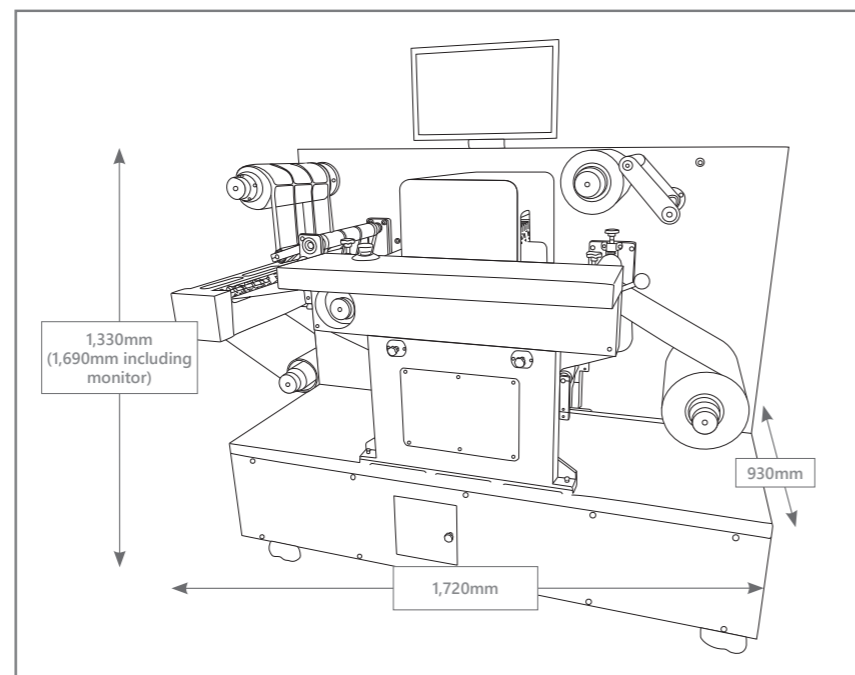
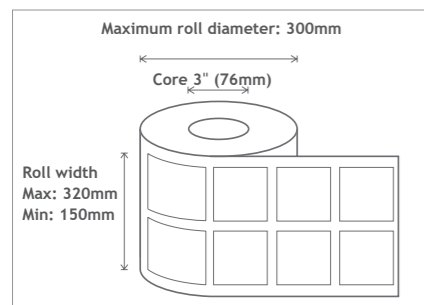


Technical Specification

Morgana LCF520 Pro Roll to Roll Label Cutter

Maximum label frame length	420mm (16.53")
Mandrel core diameter	76mm (3")
Maximum input & output roll diameter	300mm (13.78")
Max speed/Max force	10 - 1200mm sec / 750gf
Material web width	150mm up to 320mm
Label sizes	Max width: 330mm. Max length: 300mm. Min length: 20mm
Registration system	1, 2 or 4 marks with Vision3 - High resolution CCD vision system ARMS 9
Job retrieval	Direct from PC or HELD within cutter for production environments
Contour cutting	Full HPGL vector cutting compatible with PageMark CCD sensor
Mountable tools	Two tool holders supports cutting blades (30°, 45° & 60°) and pen calibration tool for auto-calibration
Cut position accuracy	+/- 100 micron
Slitting	7 Rolls, using up to 6 blade slitting - supplied
Lamination	Inline lamination when required
Rewind mandrels	One - matrix removal
Weight (unpacked)	404kgs
Dimensions W, D, H	1,720mm x 930mm x 1,330mm
Power Supply	220~240V AC, 50/60Hz, 350W, 3.4A
Software and PC Specification	
Minimum PC specification	Windows® 10/11 Pro x64 bit. 4GB of RAM (8GB recommended). Monitor res: 1280 x 960 min
ColorCut Pro 5 Plugin [§] - PC	Adobe® Illustrator® 2017 - 2025 or CorelDRAW® 2017 - 2024 Graphics Suite
ColorCut Pro 5 Plugin [§] - Mac Client	Adobe® Illustrator® 2022 - 2025. Mac operating systems: Catalina to Sequoia
ColorCut Pro 5 Standalone [‡] - PC Only	Job server - enables jobs created by the ColorCut Pro Plugin above to be cut at any time

[§] Does not support illegal copies of Illustrator. [‡] Full version only. Does not support 'Home and Student', 'Essentials' edition, or illegal copies of CorelDRAW.
^{*} Maximum dimensions relate to assembled machines and reflect full extremities of each device.



Morgana LCF520 Pro Roll-to-Roll Label Cutter Finisher

Fully automated, dual cutting head **roll-to-roll label** production, with the ColorCut LCF520 Pro.

The LCF520 Pro delivers an all-in-one solution for high-volume roll label production, offering up to 2x faster throughput with its dual cutting heads, enabling simultaneous processing for greater speed and flexibility.

With quick roll loading, it handles lamination, contour kiss-cutting, matrix removal, and slitting to finished rolls for seamless downstream processing and finishing.

Market leading features

- Dual tools for 2 x 2x throughput for higher-volume roll processing
- Digital process means no more costly dies
- Roll widths of 150mm, 215mm up to 320mm wide and up to 300mm diameter
- Select from one to four PageMark registration points, enabling you to set the balance between speed and precision cutting
- Lamination provides your finished labels with surface protection and light fastness
- QR code/Job Library retrieves associated cut files - even for mixed batch production
- Linear cutting speeds up to 10.5m/min dependent on label design and roll width*
- Automatic tracking technology continually measures roll position to dynamically adjust for rewind accuracy
- Customisable matrix removal control settings
- Convert rolls with final job slitting - up to 7 rolls

*see productivity support sheet



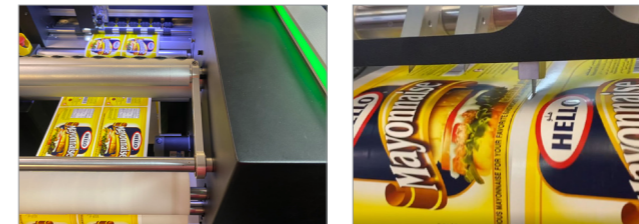
Fully automated for unattended production

The LCF520 Pro system combines robust engineering with precision registration for instant job retrieval. Its patented auto-tracking technology continually monitors roll position, dynamically adjusting the roller mandrel axis to ensure outstanding cutting accuracy and consistent finishing quality.

Engineered for simplicity, roll loading is quick and intuitive. Dual accumulator arms move the printed roll smoothly forwards and backwards, enabling accurate cutting of virtually any shape label. An integrated lamination station applies a protective film automatically, adding scratch and water resistance, while an acoustic muffling bar reduces noise during lamination - making the LCF520 Pro ideal for offices and design studios.

Driven by ColorCut Pro 5 software, the system reads printed PageMarks and QR code for instant cut-file retrieval. Operators can choose 1, 2 or 4 PageMark recognition to achieve the perfect balance of speed, productivity and precision.

A key advantage is the intelligent auto-tracking system, which continually checks the roll edge and corrects any deviation - ensuring every finished label roll has perfectly aligned cut elements.



Ai makes control easier

The LCF520 Pro is built on the foundation of Morgana's next generation of Ai (Applied Intelligence) ColorCut software which delivers a host of new features together with the functionality and control you need.

Cutting directly from ColorCut Pro offers unparalleled flexibility and control over cutting and production enabling all options to be adjusted on the fly with the integrated job controller with command center display.

Software

ColorCut software enables designers to simply generate cut files with registration marks and QR codes with associated job numbers as part of the design process.

ColorCut Pro explained

ColorCut Pro consists of two parts, the first is the ColorCut Pro Client, a plug-in to Adobe® Illustrator® for Mac or PC creatives or to CoreDRAW® (PC only). This enables designers/artworkers to generate cut files without the need to learn any new applications. The ColorCut plug-in also adds the ability directly into your graphics application to add both cut registration marks and QR codes with associated job numbers, easily, simply and as an integral part of the design process. It also saves each cut job into a ColorCut Pro job library for instant retrieval at any time, now or in the future.

Adding the QR codes and job numbers, is a key part of the ColorCut Pro magic, with QR codes the LCF520 Pro is able to retrieve previously prepared cut files without the need to launch Adobe® Illustrator® or CoreDRAW®. In fact this means, that after a graphic designer has sent the job to print, in a production print environment, any user can collect the rolls from the printer and cut them without needing to trouble the graphic designer to ask what cut file to use, or where it is stored

Auto scan QR code and registration marks

Cut file acquisition and job placement The cutters in-built camera reads the printed QR code to automatically retrieve the associated cutting file from the ColorCut Pro Job Library. It also scans the printed PageMarks for precise positioning, with advanced features compensating print or alignment skew to ensure perfect cut registration.

QR driven workflow

Process single/multiple or mixed jobs in the same run. The QR workflow offers significant advantages by automatically retrieving the correct cut file for every job printed on the roll. This allows each job to be completely unique, enabling seamless processing of mixed jobs in a single pass.

